

MMPF Power Factor Digital Meter

KUSAM-MECO®
An ISO 9001:2008 Company

FEATURES

- Measurement range: $-0.1 \sim +0.1 \cos \theta$
- Suitable for 1 ϕ 2W / 1 ϕ 3W / 3 ϕ 3W / 3 ϕ 4W system
- Size: 96 W x 48 H x 100 D (mm)
- 5 Digit display: -32768~32767 Count
- Optional RS-485 Modbus RTU
- Optional DC 4~20mA output
- Optional 2Alarm setting



FUNCTION SELECTION

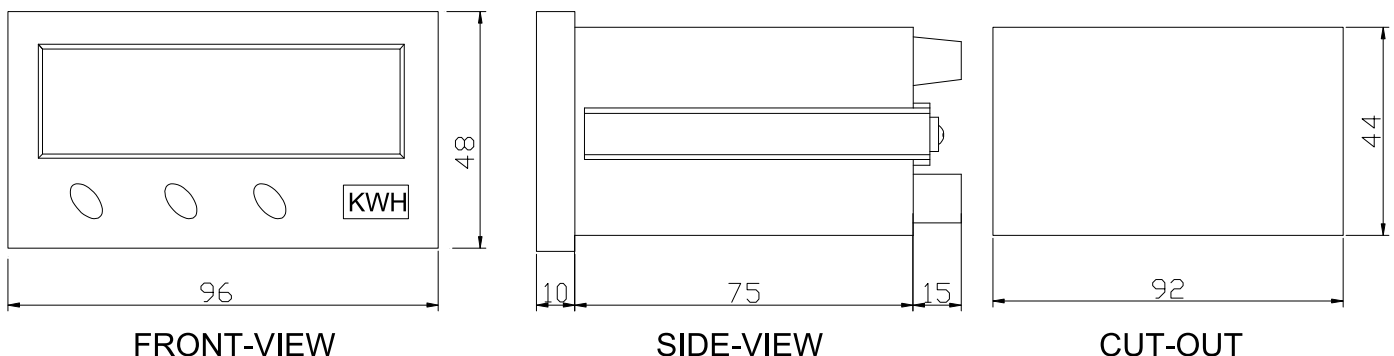
MMPF - code1 code2 code3 code4 code5 code6

| CODE 1 | | CODE 2 | | CODE 3 | | CODE 4 | | CODE 5 | | CODE 6 | |
|---------------|--------------|---------------|-------|-----------------|-------|----------|-----------|----------|-----------|------------|--------------|
| INPUT VOLTAGE | | INPUT CURRENT | | INPUT FREQUENCY | | OUTPUT 1 | | OUTPUT 2 | | AUX. POWER | |
| 1 | 55-440V(L-L) | 1 | 1A | 1 | 50 HZ | 1 | 2 Alarm | 1 | RS-485 | 3 | DC 22~72V |
| | | 2 | 5A | 2 | 60 HZ | 3 | DC 4~20mA | | ModbusRTU | 6 | AC/DC85~265V |
| | | | | | | 0 | None | 0 | None | | |
| Y | Other | Y | Other | Y | Other | Y | Other | Y | Other | Y | Other |

SPECIFICATIONS

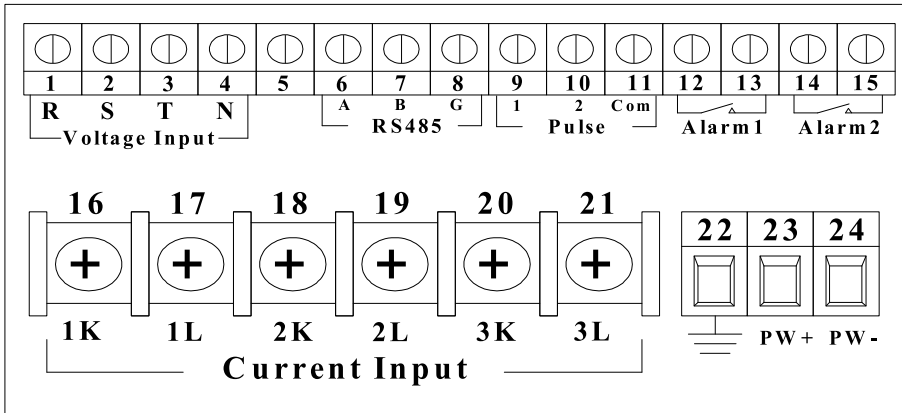
| | | | |
|---------------------|---|---------------------|--|
| Accuracy | : $\pm 0.5\% \text{RD}$ at $23^\circ\text{C} \pm 3^\circ\text{C}$ | Output Function | : 4~20mA 330Ω at 20mA (Optional) |
| Display Range | : 0.56" High brightness red LED 5-digit: -32768~32767 | Alarm Function | : 2Alarm Setting (Optional) |
| Input Range | : Input 55~440V(L-L) (Max: 500V L-L) Normal Current 5A, Effective Range 0~6A Normal Current 1A, Effective Range 0~1.5A. | Dielectric Strength | : 2.0KV 50/60HZ AC / Min Between Input / Power / Case. |
| Input Burden | : Voltage 0.25VA ; Current 0.2VA@50/60Hz | Power Supply | : AC 85~265V 50 / 60Hz DC 100~300V |
| Input Frequency | : 45~70HZ | Dimension | : 96 W X 48 H X 100 D mm. |
| Input Over | : Normal AC 5A, Current Over 15A Continuous Normal AC 440V, Voltage Over 600V Continuous | Cut-out | : 92W x 44H < mm > |
| Digital Output Load | : RS-485 MODBUS RTU | Mounting | : Panel Flush Mounting |
| Baudrate | : 2400.4800.9600.19200.38400.57600 | Housing Material | : ABS Plastic, Self-Extinguishing |
| Address | : 1~255 | Operating Condition | : $-10^\circ\text{C} \sim 55^\circ\text{C}$ 20 ~ 95% RH Non-Condensed. |
| | | Storage Condition | : $-40^\circ\text{C} \sim 75^\circ\text{C}$ 20 ~ 95% RH Non-Condense |

SIZE (mm)

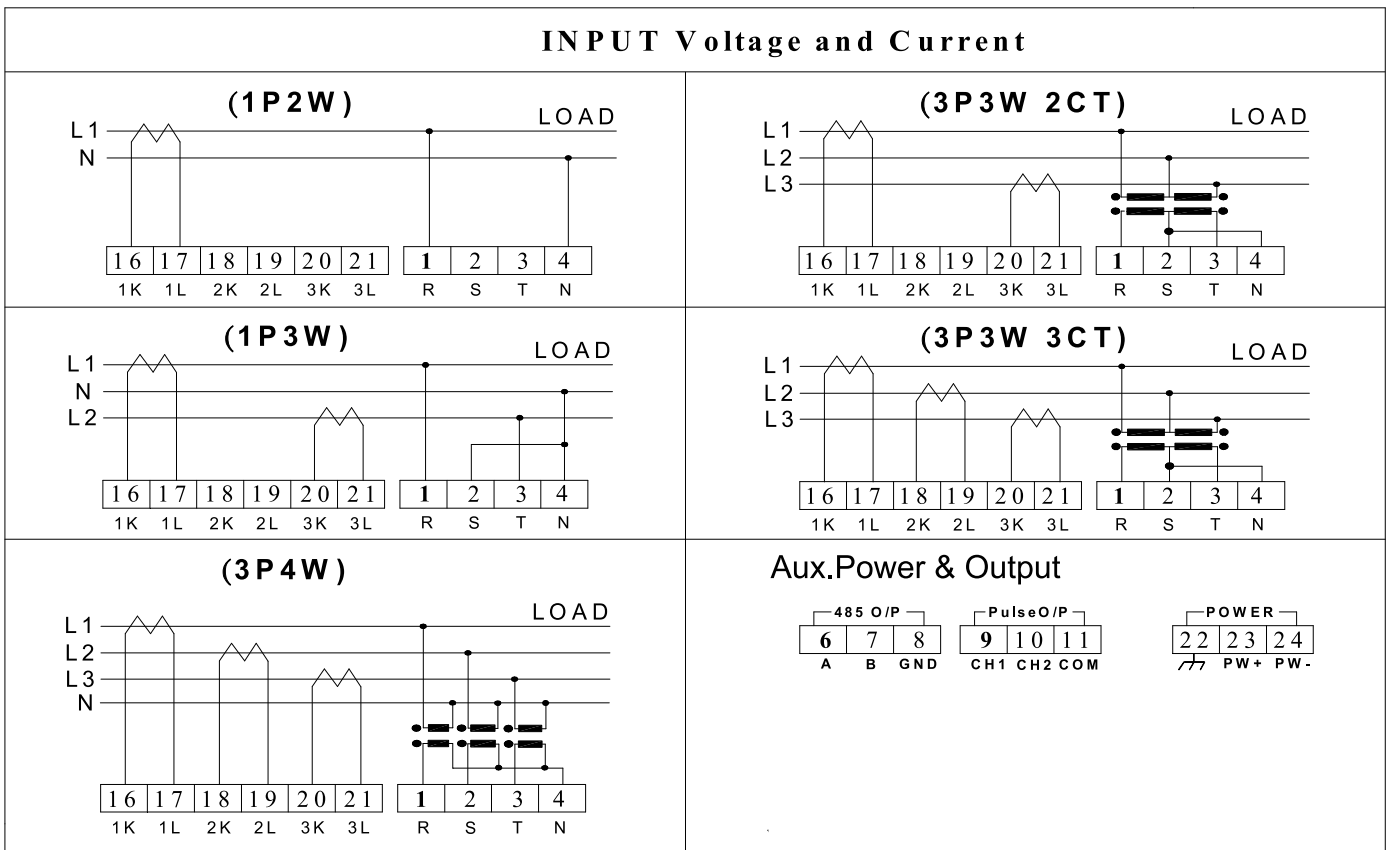


All Specifications are subject to change without prior notice.

TERMINALS



CONNECTION DIAGRAM



All Specifications are subject to change without prior notice.